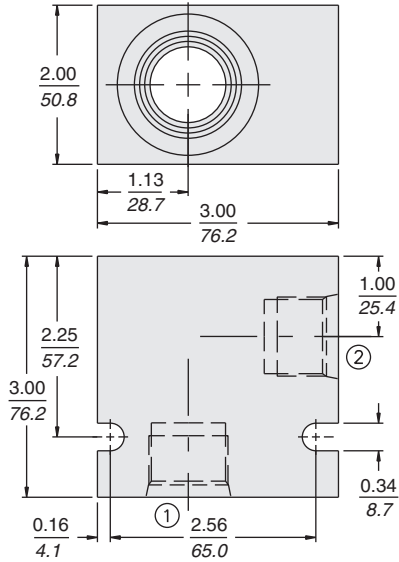
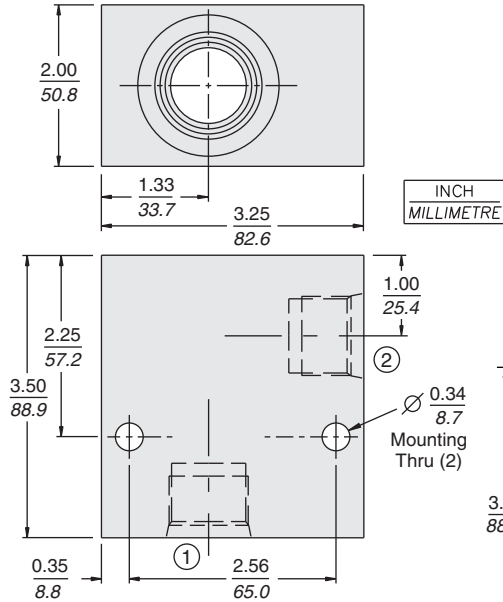


Series 16 Valve Housings

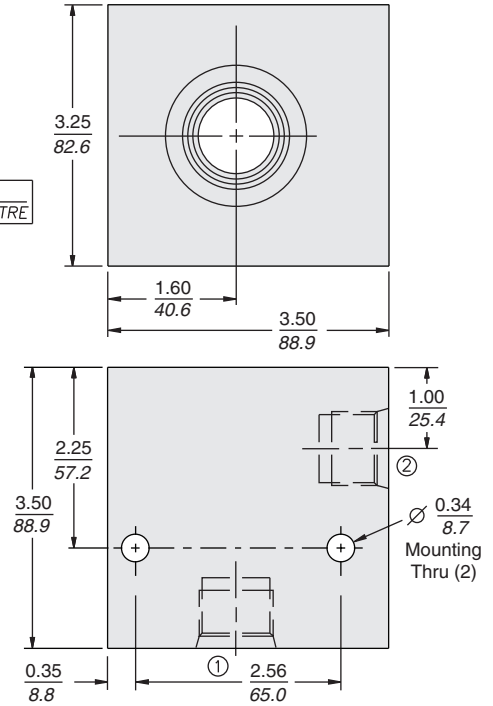
**2-WAY
Aluminum**



**2-WAY
Ductile Iron**



**2-WAY
Ductile Iron, H-Series**



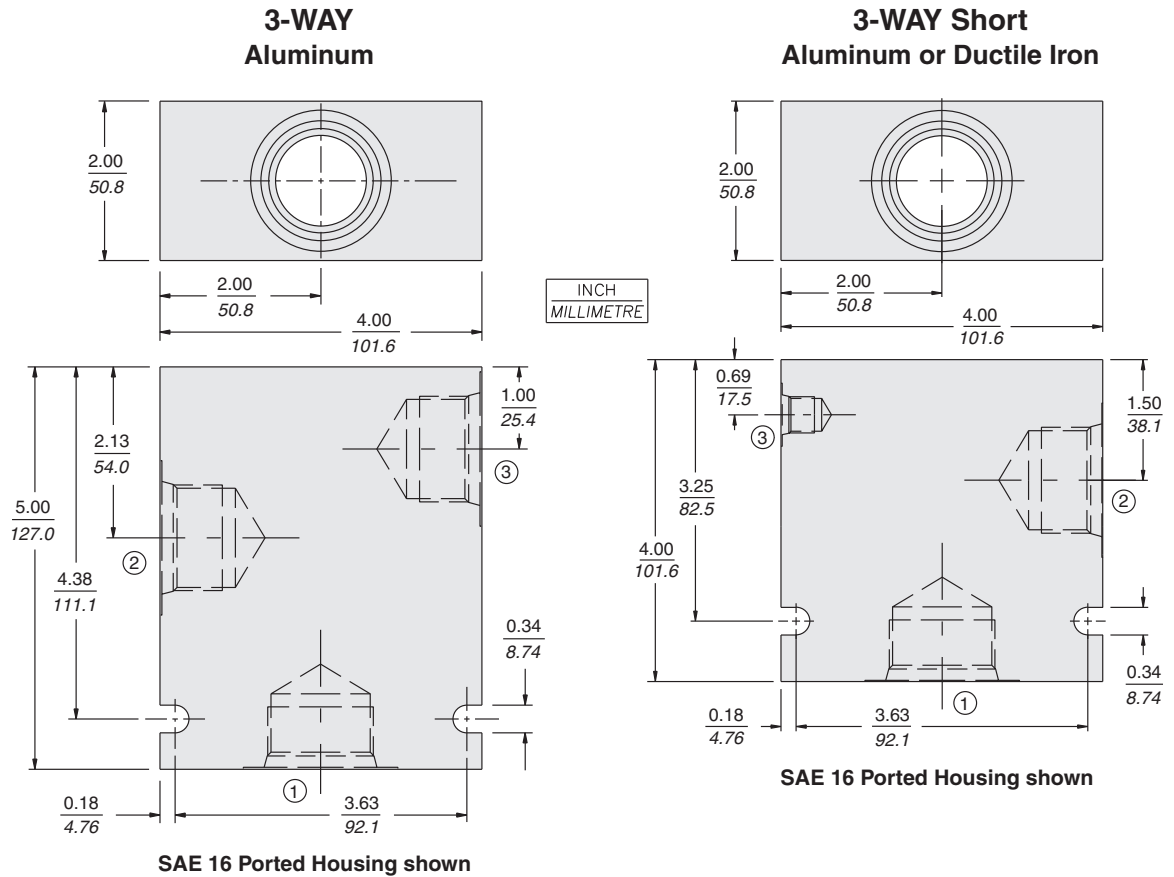
Blue Rectangles are links to CAD .stp files.

SERIES 16 2-WAY HOUSINGS					
Code	Part No.	Material	Port 1	Port 2	Mfg. Loc.
12T	7023230	Alum.	SAE 12	SAE 12	U.S.
16T	7023240	Alum.	SAE 16	SAE 16	U.S.
6B	7023610	Alum.	3/4" BSP	3/4" BSP	U.K.
8B	7023620	Alum.	1" BSP	1" BSP	U.K.
10TD	7152000	Duct. Iron	SAE 10	SAE 10	U.S.
12TD	7152010	Duct. Iron	SAE 12	SAE 12	U.S.
16TD	7152020	Duct. Iron	SAE 16	SAE 16	U.S.
8BD	7152050	Duct. Iron	1" BSP	1" BSP	U.K.

SERIES 16 2-WAY H-SERIES HOUSINGS					
Code	Part No.	Material	Port 1	Port 2	Mfg. Loc.
16HT	7157220	Duct. Iron	SAE 16	SAE 16	U.S.
8HB	7157250	Duct. Iron	1" BSP	1" BSP	U.K.

HYDRAFORCE STANDARD VALVE HOUSINGS				
MATERIAL	OPERATING PRESSURE	PORTS	MFG. LOCATION	
Aluminum	210 bar (3000 psi)	SAE	U.S.	
Aluminum	210 bar (3000 psi)	BSP	U.K.	
Ductile Iron	350 bar (5000 psi)	SAE	U.S.	
Ductile Iron	350 bar (5000 psi)	BSP	U.K.	

Series 16 Valve Housings



Blue Rectangles are links to CAD .stp files.

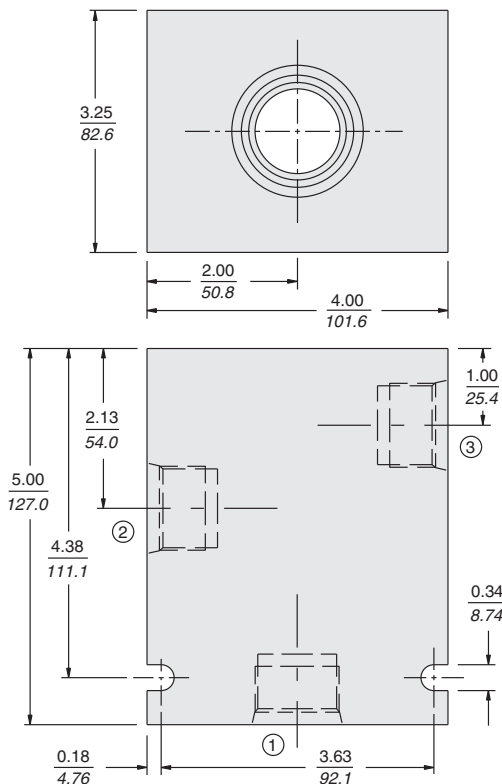
SERIES 16 3-WAY HOUSINGS						
Code	Part No.	Material	Port 1	Port 2	Port 3	Mfg. Loc.
12T	7022650	Alum.	SAE 12	SAE 12	SAE 12	U.S.
16T	7022660	Alum.	SAE 16	SAE 16	SAE 16	U.S.

SERIES 16 3-WAY SHORT HOUSINGS						
Code	Part No.	Material	Port 1	Port 2	Port 3	Mfg. Loc.
16T	7023340	Alum.	SAE 16	SAE 16	SAE 6	U.S.
16TD	7152220	Duct. Iron	SAE 16	SAE 16	SAE 6	U.S.
8BD	7152250	Duct. Iron	1" BSP	1" BSP	3/8" BSP	U.K.

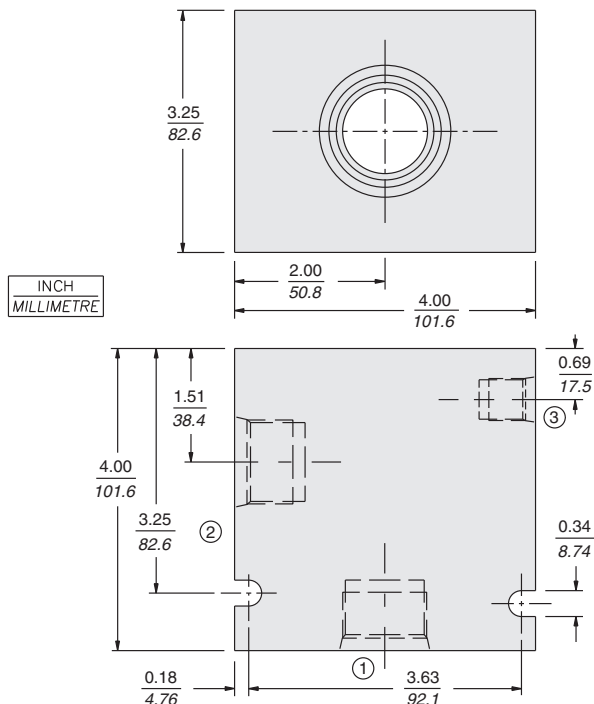
HYDRAFORCE STANDARD VALVE HOUSINGS			
MATERIAL	OPERATING PRESSURE	PORTS	MFG. LOCATION
Aluminum	210 bar (3000 psi)	SAE	U.S.
Aluminum	210 bar (3000 psi)	BSP	U.K.
Ductile Iron	350 bar (5000 psi)	SAE	U.S.
Ductile Iron	350 bar (5000 psi)	BSP	U.K.

Series 16 Valve Housings

**3-WAY
Ductile Iron, H-Series**



**3-WAY Short
Ductile Iron, H-Series**



INCH
MILLIMETRE

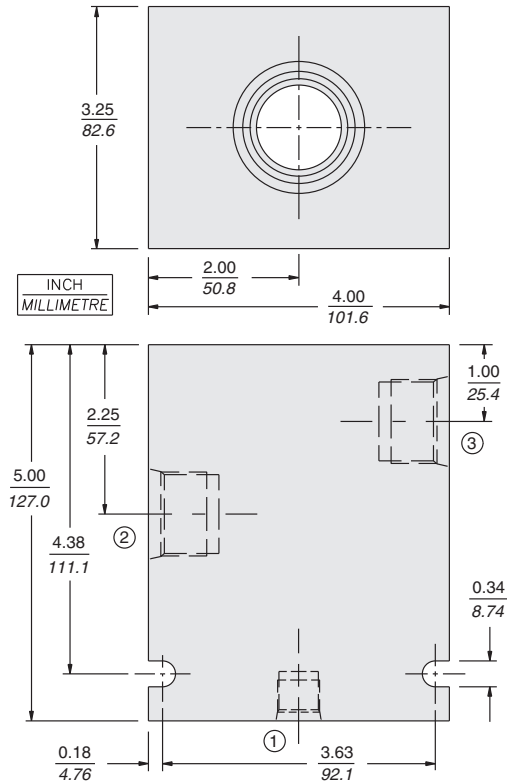
SERIES 16 3-WAY H-SERIES HOUSINGS						
Code	Part No.	Material	Port 1	Port 2	Port 3	Mfg. Loc.
16HT	7159530	Duct. Iron	SAE 16	SAE 16	SAE 16	U.S.
8HB	7159560	Duct. Iron	1" BSP	1" BSP	1" BSP	U.K.

SERIES 16 3-WAY SHORT H-SERIES HOUSINGS						
Code	Part No.	Material	Port 1	Port 2	Port 3	Mfg. Loc.
16HT	7157420	Duct. Iron	SAE 16	SAE 16	SAE 6	U.S.
8HB	7157450	Duct. Iron	1" BSP	1" BSP	3/8" BSP	U.K.

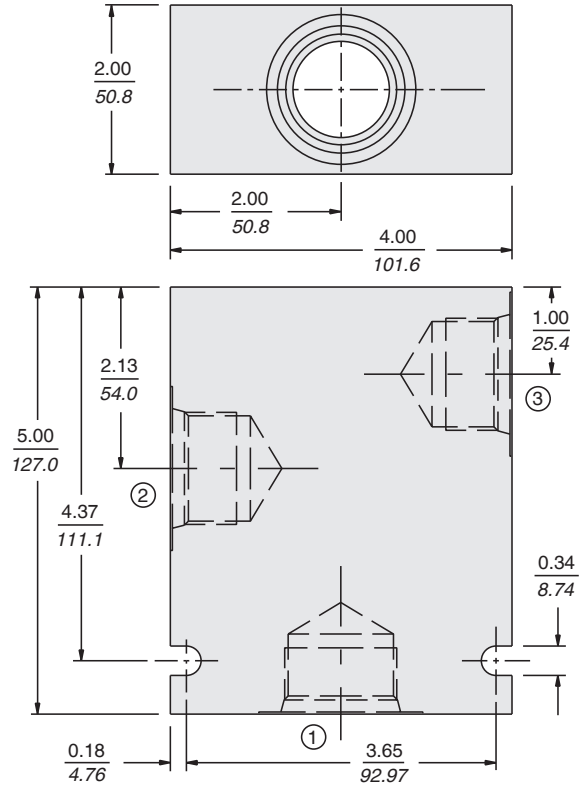
HYDRAFORCE STANDARD VALVE HOUSINGS			
MATERIAL	OPERATING PRESSURE	PORTS	MFG. LOCATION
Ductile Iron	350 bar (5000 psi)	SAE	U.S.
Ductile Iron	350 bar (5000 psi)	BSP	U.K.

Series 16 Valve Housings

3-WAY HSPEC-Type Ductile Iron, H-Series



3-WAY SPCL-Type Ductile Iron



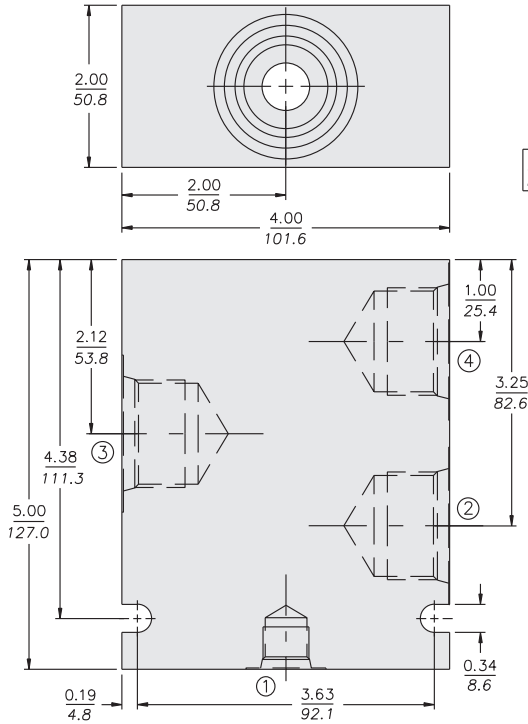
SERIES 16 3-WAY HSPEC-TYPE H-SERIES HOUSINGS						
Code	Part No.	Material	Port 1	Port 2	Port 3	Mfg. Loc.
16HT	7159640	Duct. Iron	SAE 6	SAE 16	SAE 16	U.S.
8HB	7159680	Duct. Iron	1" BSP	1" BSP	1/4" BSP	U.K.

SERIES 16 3-WAY SPCL-TYPE DUCTILE IRON HOUSINGS						
Code	Part No.	Material	Port 1	Port 2	Port 3	Mfg. Loc.
16TD	7152130	Duct. Iron	SAE 16	SAE 16	SAE 16	U.S.
12TD	7152120	Duct. Iron	SAE 12	SAE 12	SAE 12	U.S.
10TD	7152110	Duct. Iron	SAE 10	SAE 10	SAE 10	U.S.
8BD	7152160	Duct. Iron	1" BSP	1" BSP	1" BSP	U.K.
6BD	7152150	Duct. Iron	3/4" BSP	3/4" BSP	3/4" BSP	U.K.

HYDRAFORCE STANDARD VALVE HOUSINGS			
MATERIAL	OPERATING PRESSURE	PORTS	MFG. LOCATION
Ductile Iron	350 bar (5000 psi)	SAE	U.S.
Ductile Iron	350 bar (5000 psi)	BSP	U.K.

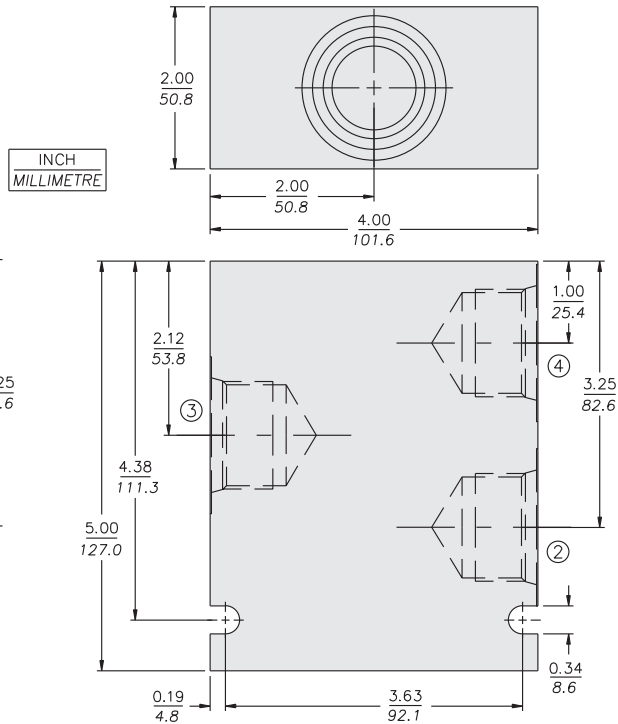
Series 16 Valve Housings

4-WAY
Aluminum. PD-Type



SAE 16 Ported Housing shown

4-WAY 3-PORT
Special FD-Type, Aluminum or Ductile Iron



SAE 16 Ported Housing shown

Blue Rectangles are links to CAD .stp files.

SERIES 16 4-WAY PD-TYPE HOUSINGS							
Code	Part No.	Material	Port 1	Port 2	Port 3	Port 4	Mfg. Loc.
12T*	7023450	Alum.	SAE 6	SAE 12	SAE 12	SAE 12	U.S.
16T*	7023470	Alum.	SAE 6	SAE 16	SAE 16	SAE 16	U.S.
6B	7023810	Alum.	3/8" BSP	3/4" BSP	3/4" BSP	3/4" BSP	U.K.
8B	7023820	Alum.	3/8" BSP	1" BSP	SAE 16	1" BSP	U.K.

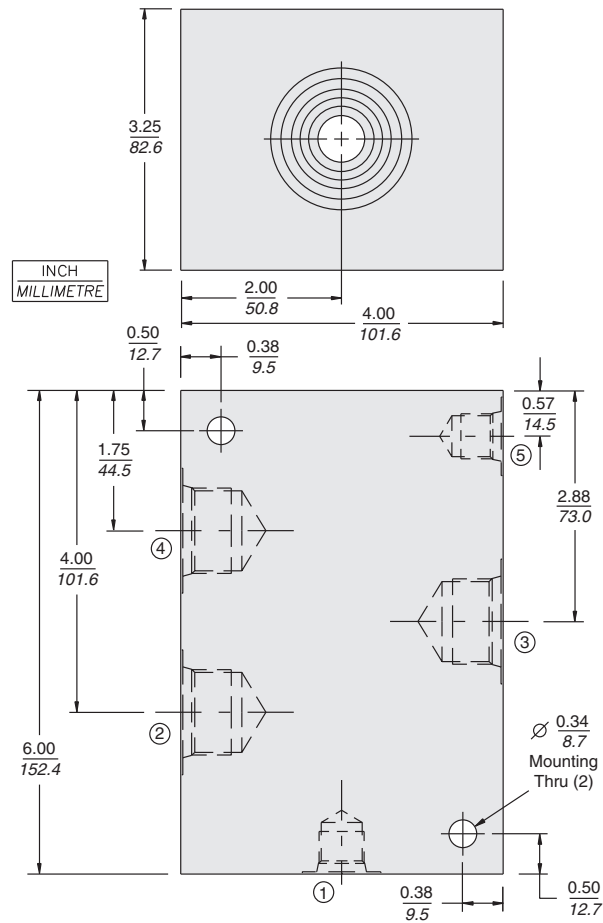
*PD-TYPE BODY

SERIES 16 4-WAY 3-PORT SPECIAL FD-TYPE HOUSINGS							
Code	Part No.	Material	Port 1	Port 2	Port 3	Port 4	Mfg. Loc.
16D	7023480	Alum.	—	SAE 12	SAE 16	SAE 12	U.S.
16T	7023460	Alum.	—	SAE 16	SAE 16	SAE 16	U.S.
6B	7029140	Alum.	—	3/4" BSP	3/4" BSP	3/4" BSP	U.K.
7B	7029160	Alum.	—	3/4" BSP	1" BSP	3/4" BSP	U.K.
8B	7029150	Alum.	—	1" BSP	1" BSP	1" BSP	U.K.
12TD	7152410	Duct. Iron	—	SAE 12	SAE 12	SAE 12	U.S.
16TD	7152420	Duct. Iron	—	SAE 16	SAE 16	SAE 16	U.S.
8BD	7152450	Duct. Iron	—	1" BSP	1" BSP	1" BSP	U.K.
8FD	7152460	Duct. Iron	—	3/4" BSP	1" BSP	3/4" BSP	U.K.

HYDRAFORCE STANDARD VALVE HOUSINGS			
MATERIAL	OPERATING PRESSURE	PORTS	MFG. LOCATION
Aluminum	210 bar (3000 psi)	SAE	U.S.
Aluminum	210 bar (3000 psi)	BSP	U.K.
Ductile Iron	350 bar (5000 psi)	SAE	U.S.
Ductile Iron	350 bar (5000 psi)	BSP	U.K.

Series 16 Valve Housings

5-WAY 16-S5 Ductile Iron, H-Series, HPD-Type



SERIES 16 5-WAY HPD-TYPE HOUSINGS

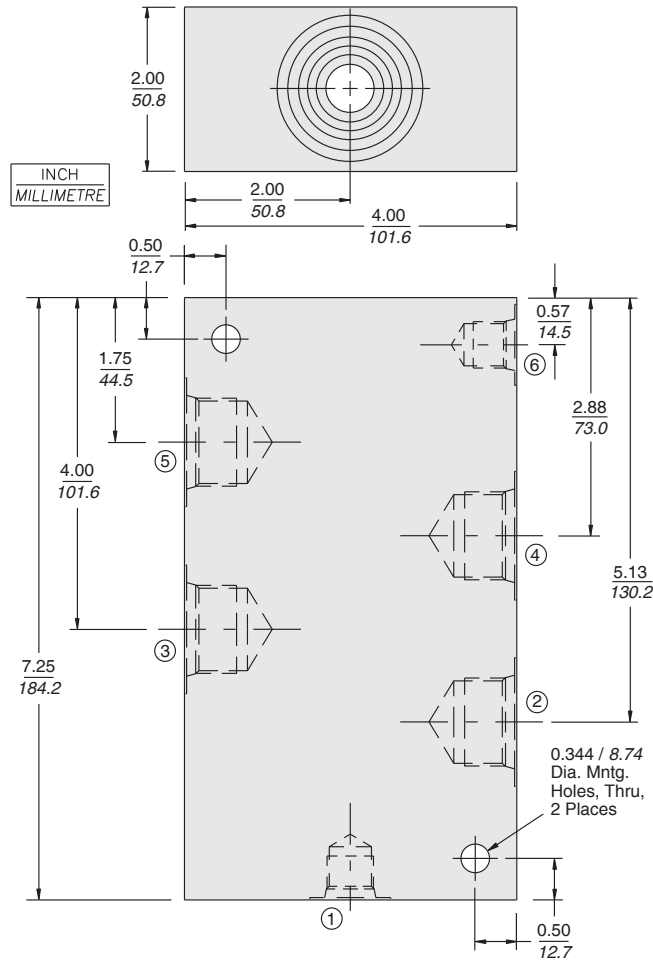
Code	Part No.	Material	Port 1	Port 2	Port 3	Port 4	Port 5	Mfg. Loc.
16HT	7159960	Duct. Iron	SAE 6	SAE 16	SAE 16	SAE 16	SAE 6	U.S.
8HB	7159920	Duct. Iron	1/4" BSP	1" BSP	1" BSP	1" BSP	1/4" BSP	U.K.

HYDRAFORCE STANDARD VALVE HOUSINGS

MATERIAL	OPERATING PRESSURE	PORTS	MFG. LOCATION
Ductile Iron	350 bar (5000 psi)	SAE	U.S.
Ductile Iron	350 bar (5000 psi)	BSP	U.K.

Series 16 Valve Housings Series 16 Valve Housings

6-WAY 16-S6 Housing PD/PE-Type, Ductile Iron

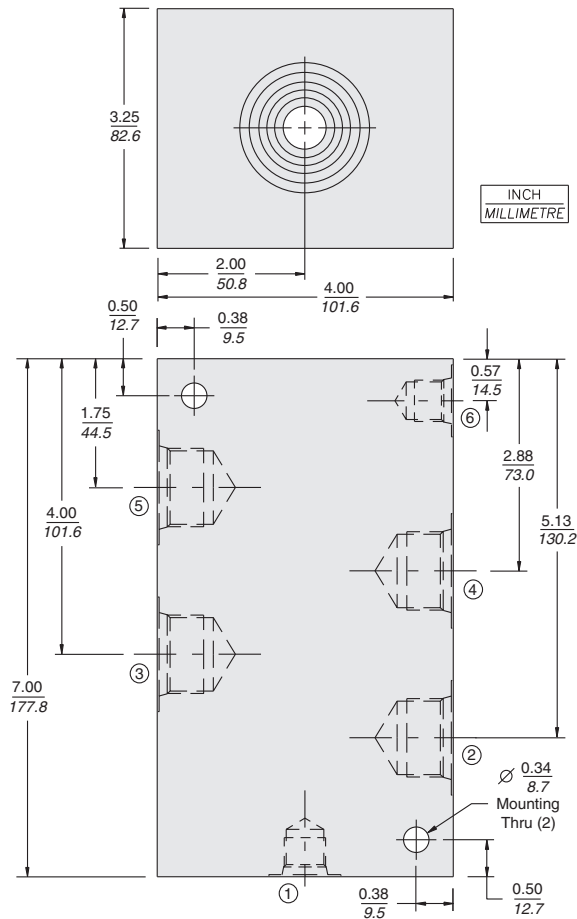


SERIES 16 6-WAY PD/PE-TYPE 16-S6 TEST HOUSINGS									
Code	Part No.	Material	Port 1	Port 2	Port 3	Port 4	Port 5	Port 6	Mfg. Loc.
16TD	7150360	Duct. Iron	SAE 6	SAE 16	SAE 16	SAE 16	SAE 16	SAE 6	U.S.
8BD	7150320	Duct. Iron	1/4" BSP	1" BSP	1" BSP	1" BSP	1" BSP	1/4" BSP	U.K.

HYDRAFORCE STANDARD VALVE HOUSINGS			
MATERIAL	OPERATING PRESSURE	PORTS	MFG. LOCATION
Ductile Iron	350 bar (5000 psi)	SAE	U.S.
Ductile Iron	350 bar (5000 psi)	BSP	U.K.

Series 16 Valve Housings

6-WAY 16-S6 HPD/HPE-Type, Ductile Iron, H-Series



SERIES 16 6-WAY 16-S6 HPD/HPE-TYPE H-SERIES HOUSINGS									
Code	Part No.	Material	Port 1	Port 2	Port 3	Port 4	Port 5	Port 6	Mfg. Loc.
16HT	7157560	Duct. Iron	SAE 6	SAE 16	SAE 16	SAE 16	SAE 16	SAE 6	U.S.
8HB	7157520	Duct. Iron	1/4" BSP	1" BSP	1" BSP	1" BSP	1" BSP	1/4" BSP	U.K.

HYDRAFORCE STANDARD VALVE HOUSINGS			
MATERIAL	OPERATING PRESSURE	PORTS	MFG. LOCATION
Ductile Iron	350 bar (5000 psi)	SAE	U.S.
Ductile Iron	350 bar (5000 psi)	BSP	U.K.